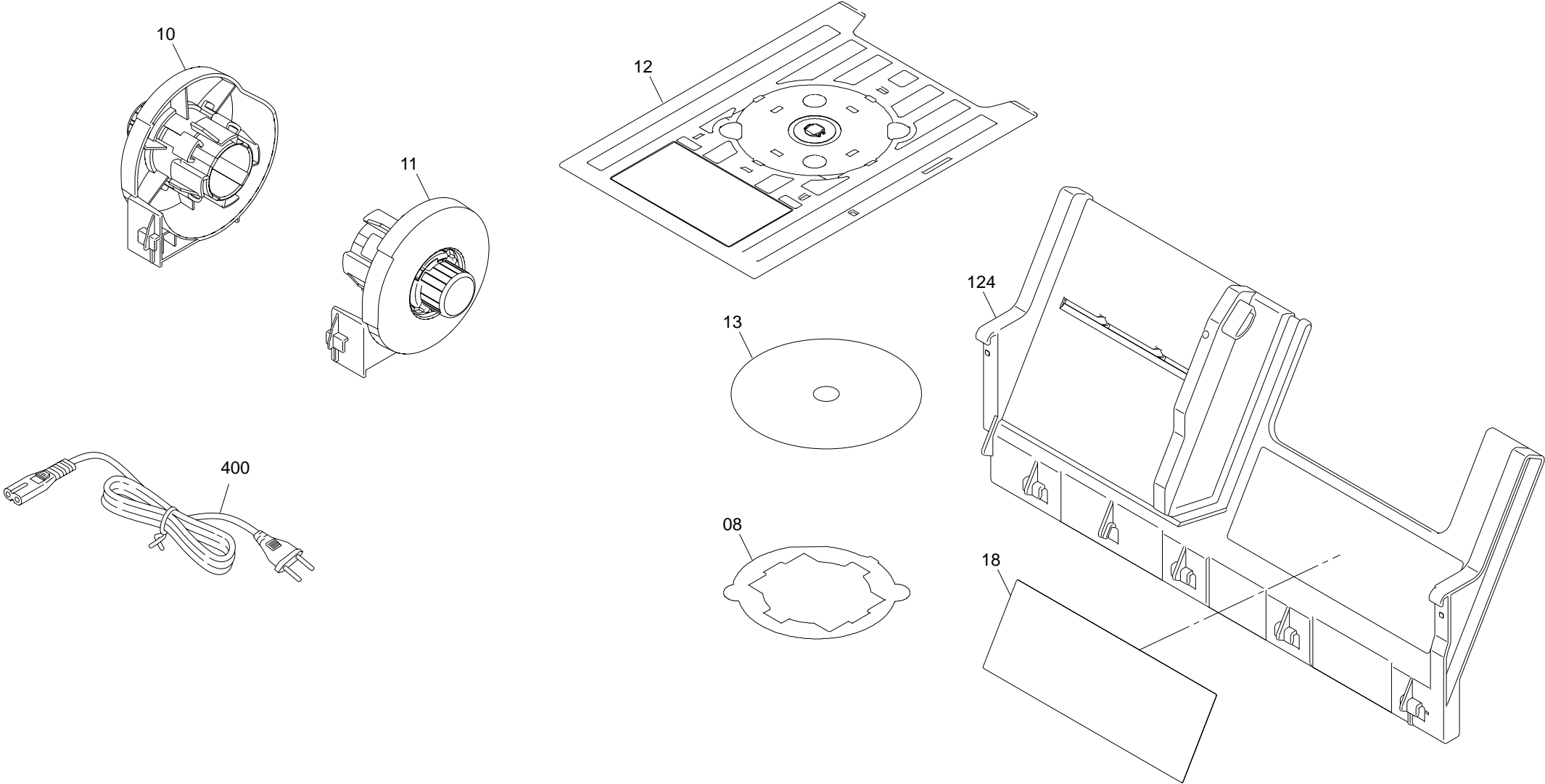
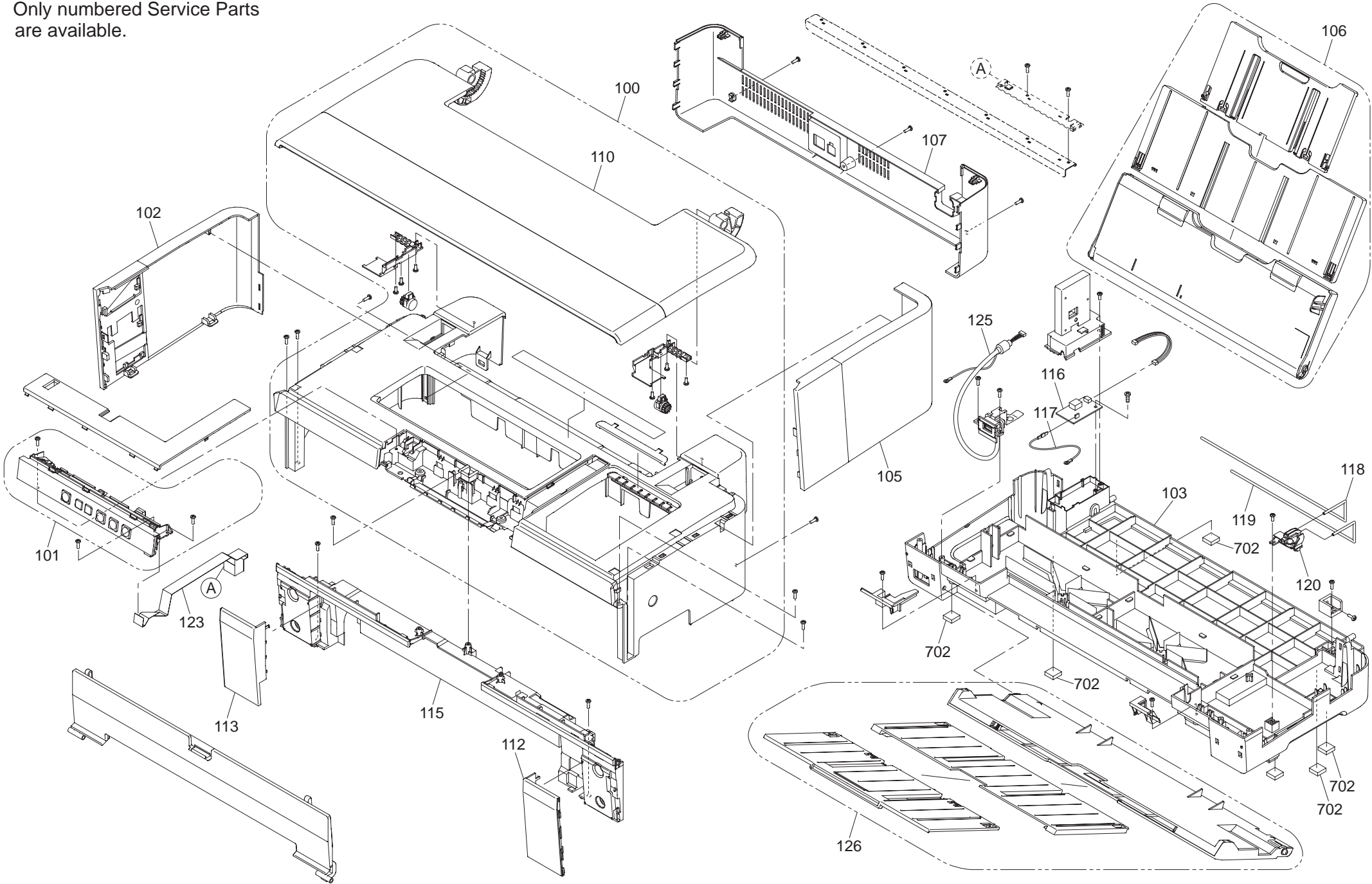


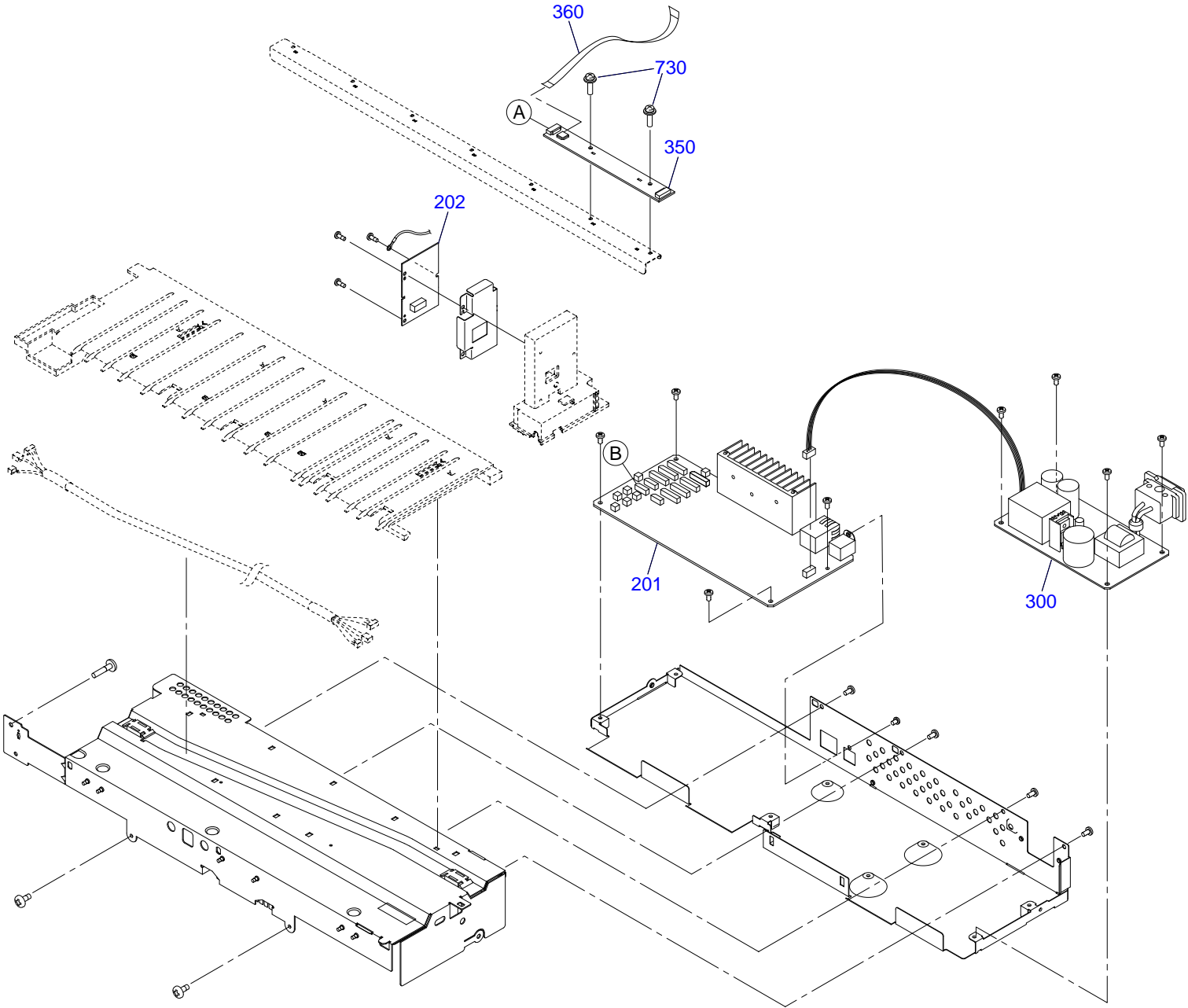
Only numbered Service Parts  
are available.



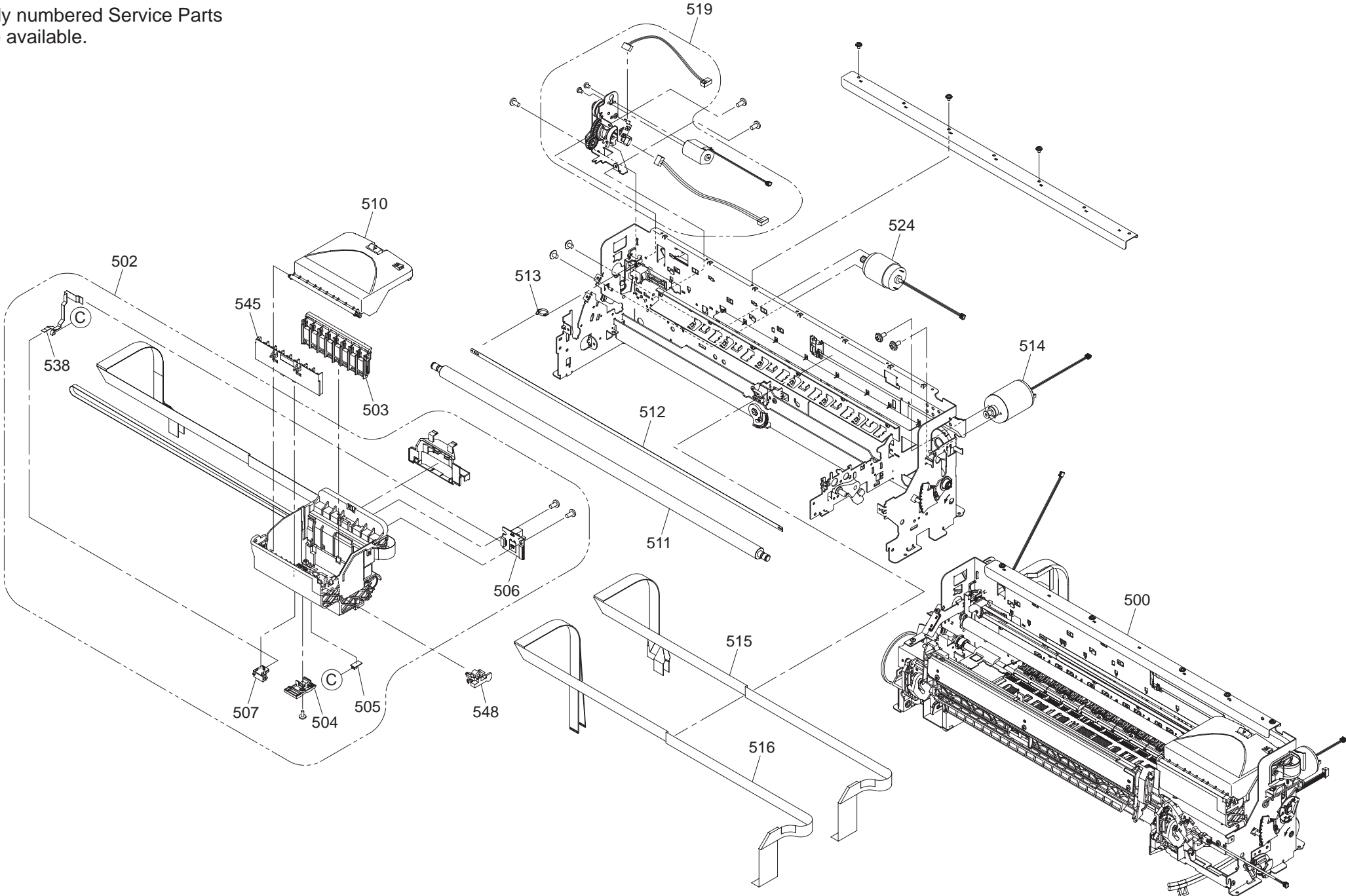
Only numbered Service Parts  
are available.



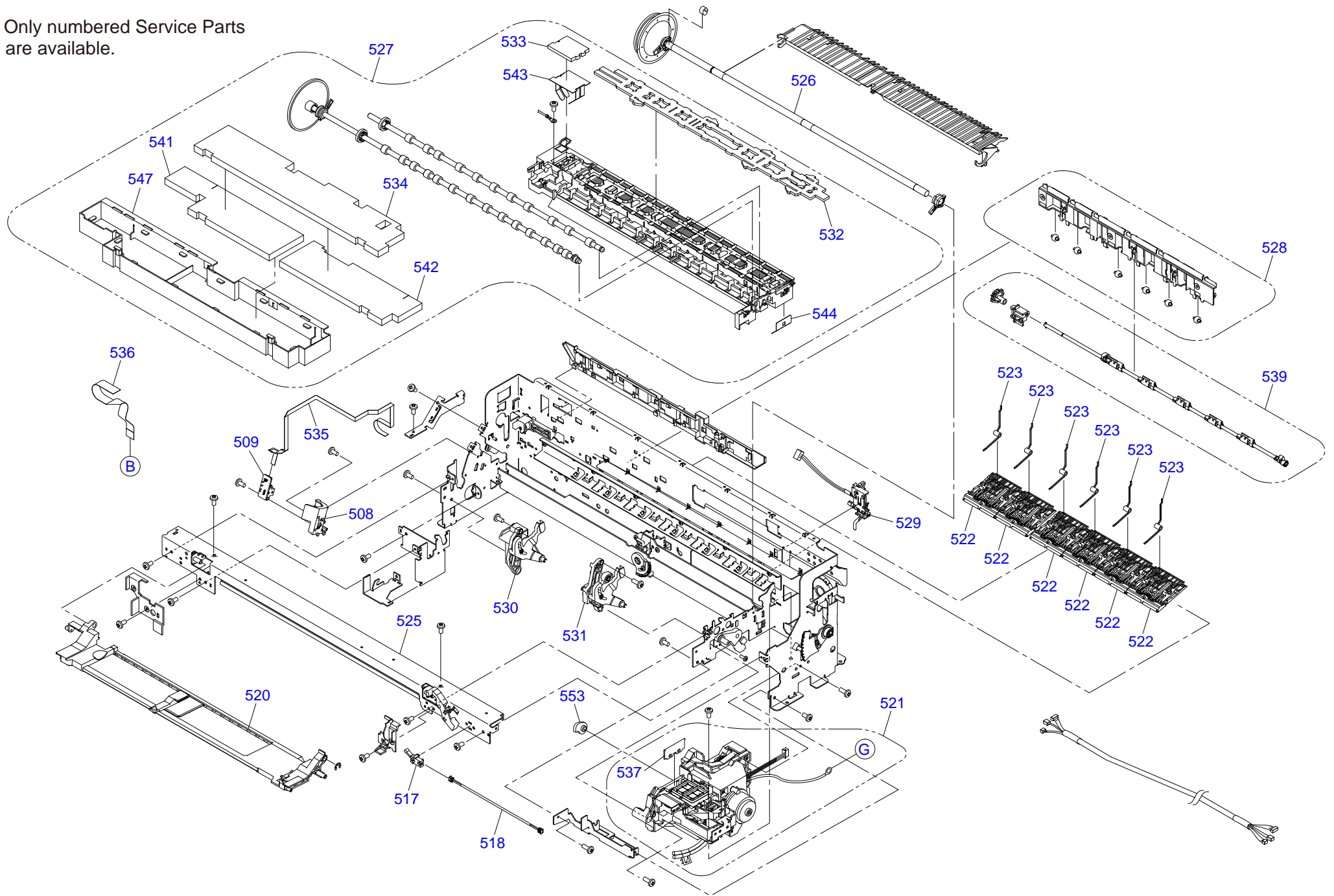
Only numbered Service Parts  
are available.



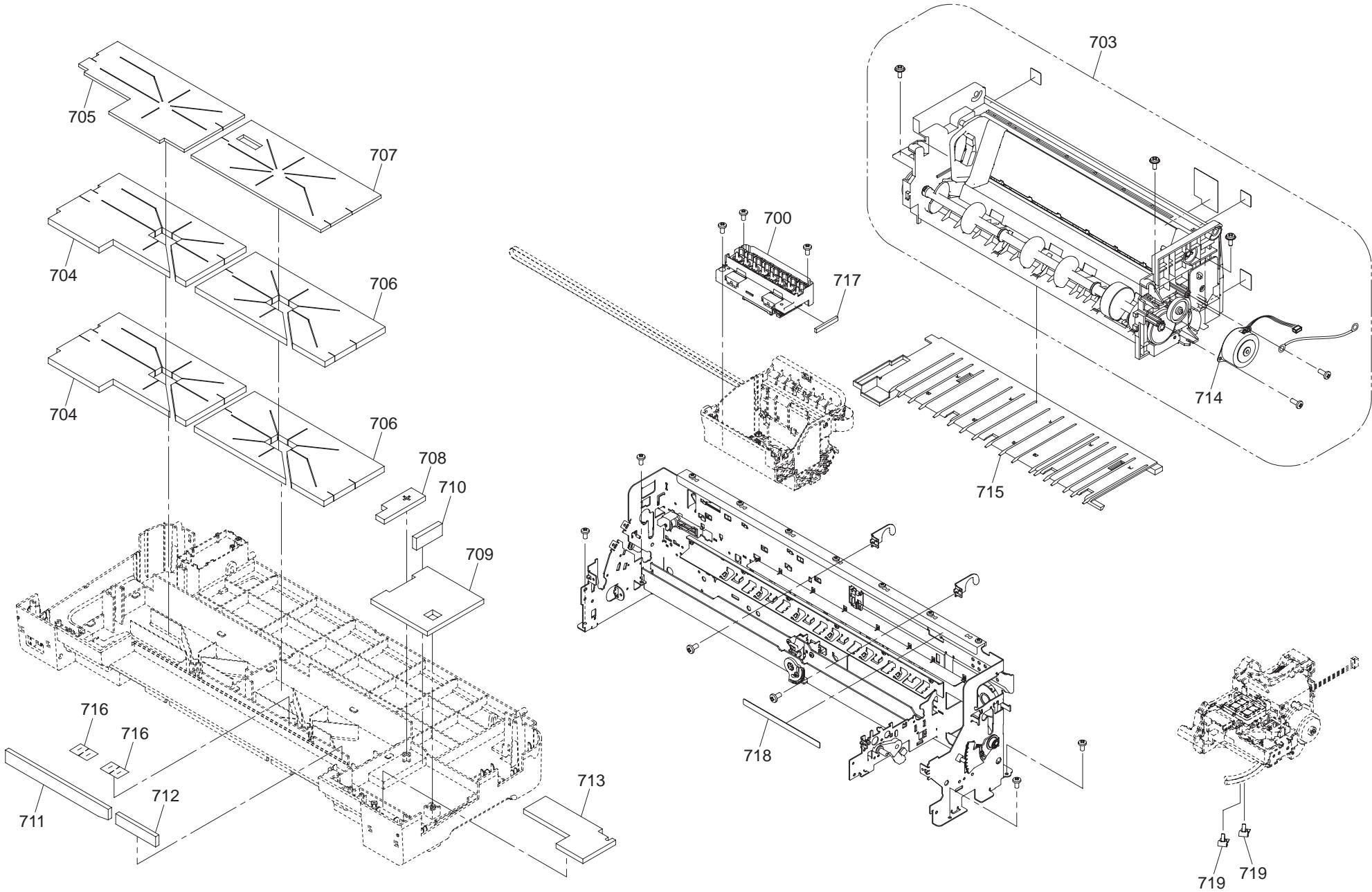
Only numbered Service Parts  
are available.



Only numbered Service Parts  
are available.



Only numbered Service Parts  
are available.



Model	Article	Reference	Description
STYLUS PHOTO R2000	1304557	8	ADAPTER,CDR
STYLUS PHOTO R2000	1544769	10	FRAME ROLL PAPER LEFT ASSY.,IEI.,CB35
STYLUS PHOTO R2000	1544779	100	HOUSING UPPER SUB ASSY.,IEI.,CB35
STYLUS PHOTO R2000	1544763	101	PANEL SUB ASSY,IEI.,CB35
STYLUS PHOTO R2000	1544766	102	DECORATION PLATE,LEFT SUB ASSY
STYLUS PHOTO R2000	1564306	103	HOUSING,LOWER,D
STYLUS PHOTO R2000	1544765	105	DECORATION PLATE,RIGHT SUB ASSY
STYLUS PHOTO R2000	1550331	106	PAPER SUPPORT SUB ASSY.,IEI
STYLUS PHOTO R2000	1541755	107	HOUSING,REAR
STYLUS PHOTO R2000	1544768	11	FRAME ROLL PAPER RIGHT ASSY.,IEI.,CB35
STYLUS PHOTO R2000	1553393	110	COVER,PRINTER,ASSY ,ASP,IEI
STYLUS PHOTO R2000	1541773	112	DECORATION PLATE,FRONT,RIGHT
STYLUS PHOTO R2000	1541774	113	DECORATION PLATE,FRONT,LEFT
STYLUS PHOTO R2000	1544781	115	HOUSING,UPPER,SUPPORT SUB.,IEI,CB35
STYLUS PHOTO R2000	2113395	116	HIGH VOLTAGE MODULE
STYLUS PHOTO R2000	2136940	117	HARNESS,ELECTRODE
STYLUS PHOTO R2000	1293641	118	TUBE,INK EJECT,LEFT,F
STYLUS PHOTO R2000	1293642	119	TUBE,INK EJECT,RIGHT,F
STYLUS PHOTO R2000	1549015	12	TRAY,CDR
STYLUS PHOTO R2000	1466312	120	HOLDER,TUBE,INK EJECT,B
STYLUS PHOTO R2000	2134891	123	HARNESS MAIN-High Voltage Unit,2117206
STYLUS PHOTO R2000	1550357	124	PAPER SUPPORT USFAP ASSY,B.,IEI
STYLUS PHOTO R2000	1544759	125	HOLDER,PICTBRIDGE ASSY.,IEI.,CB35
STYLUS PHOTO R2000	1544761	126	STACKER UNIT,IEI.,CB35
STYLUS PHOTO R2000	1236444	13	SHEET,CD,DUMMY
STYLUS PHOTO R2000	1529123	18	LABEL,CAUTION,CUT PAPER GUIDE,D
STYLUS PHOTO R2000	2133376	201	BOARD ASSY.,MAIN 6583A,STANDARD
STYLUS PHOTO R2000	2135226	202	WIRELESS LAN USB MODULE
STYLUS PHOTO R2000	2130060	300	BOARD ASSY.,POWER SUPPLY 6536A,CA86/CB35_STANDARD
STYLUS PHOTO R2000	2145870	350	BOARD ASSY.,PANEL 6342A,C698/CA16/CB35 STANDARD
STYLUS PHOTO R2000	2134504	360	HARNESS MAIN-PNL-B,2122242-01
STYLUS PHOTO R2000	2121764	400	POWER CABLE
STYLUS PHOTO R2000	2140768	500	PRINTER MECHANISM,CB35,B.,IEI,ASP
STYLUS PHOTO R2000	1544747	502	CARRIAGE SUB ASSY,IEI.,CB35
STYLUS PHOTO R2000	2135229	503	HOLDER CSIC UNIT.,IEI.,CB35
STYLUS PHOTO R2000	1292771	504	HOLDER,DETECTOR,PW
STYLUS PHOTO R2000	2109393	505	BOARD ASSY.,DETECTOR,PW,B
STYLUS PHOTO R2000	2117265	506	BOARD ASSY.,ENCODER,CR
STYLUS PHOTO R2000	2084550	507	BOARD ASSY.,INK MARK
STYLUS PHOTO R2000	1262695	508	HOLDER,BOARD ASSY.,ENCORDER,PF
STYLUS PHOTO R2000	2138728	509	BOARD ASSY.,ENCODER,PF
STYLUS PHOTO R2000	1544760	510	COVER IC ASSY.,IEI.,CB35
STYLUS PHOTO R2000	1292785	511	SHAFT,CR,GUIDE
STYLUS PHOTO R2000	1557662	512	SCALE,CR,C
STYLUS PHOTO R2000	1233669	513	TORSION SPRING,24.7
STYLUS PHOTO R2000	2137379	514	MOTOR,ASSY,CR
STYLUS PHOTO R2000	2090524	515	CABLE,HEAD,B
STYLUS PHOTO R2000	2090523	516	CABLE,HEAD
STYLUS PHOTO R2000	2020393	517	DETECTOR,LEAF,B2
STYLUS PHOTO R2000	2143429	518	HARNESS,DETECTOR,CD-R
STYLUS PHOTO R2000	1544748	519	AUTO PG UT.,IEI.,CB35
STYLUS PHOTO R2000	1544756	520	TRAY,PASTE BOARD,BASE ASSY.,IEI.,CB35

Model	Article	Reference	Description
STYLUS PHOTO R2000	1544749	521	Ersetzt durch: 1616852
STYLUS PHOTO R2000	1616852	521	INK SYSTEM ASSY.,IEI.,CB35
STYLUS PHOTO R2000	1543994	522	PAPER GUIDE UPPER SUB ASSY.,IEI.,CB35
STYLUS PHOTO R2000	1292591	523	TORSION SPRING,PAPER GUIDE,UPPER
STYLUS PHOTO R2000	2133292	524	MOTOR,ASSY,PF,C
STYLUS PHOTO R2000	1552561	525	FRAME PAPER EJ SUB ASSY.,IEI
STYLUS PHOTO R2000	1544744	526	ROLLER PF SUB ASSY.,IEI.,CB35
STYLUS PHOTO R2000	1567665	527	PAPER GUIDE FRONT & LOWER SUB ASSY.A,IEI
STYLUS PHOTO R2000	1530857	528	HOLDER RELEASE SUB ASSY,IEI
STYLUS PHOTO R2000	1530584	529	PAPER DETECTOR SUB ASSY,IEI
STYLUS PHOTO R2000	1529333	530	LEVER RELEASE CD-R SUB ASSY
STYLUS PHOTO R2000	1530858	531	BASE RELEASE CD-R RIGHT SUB ASSY,IEI
STYLUS PHOTO R2000	1569061	532	POROUS PAD, PAPER GUIDE FRONT,ASP,IEI
STYLUS PHOTO R2000	1466364	533	POROUS PAD,PAPER GUIDE,LEFT
STYLUS PHOTO R2000	1513177	534	POROUS PAD,PAPER GUIDE,INK EJECT,UPPER,B
STYLUS PHOTO R2000	2090534	535	HARNESS,ENCORDER,PF
STYLUS PHOTO R2000	2090522	536	HARNESS,BOARD ASSY.,RELAY
STYLUS PHOTO R2000	1553394	537	CLEANER,HEAD,C ASP,IEI
STYLUS PHOTO R2000	2090528	538	CABLE,DETECTOR,8
STYLUS PHOTO R2000	1530573	539	FRAGE RELEASE SUB ASSY,IEI
STYLUS PHOTO R2000	1513178	541	POROUS PAD,PAPER GUIDE,INK EJECT,LEFT,B
STYLUS PHOTO R2000	1513179	542	POROUS PAD,PAPER GUIDE,INK EJECT,RIGHT,B
STYLUS PHOTO R2000	1466365	543	POROUS PAD,GUIDE,INK EJECT,LEFT
STYLUS PHOTO R2000	1466362	544	POROUS PAD,GUIDE,INK EJECT
STYLUS PHOTO R2000	1542854	545	GUIDE,IC,OVERSEA
STYLUS PHOTO R2000	1513176	547	TRAY,POROUS PAD,PAPER GUIDE,FRONT,B
STYLUS PHOTO R2000	1466342	548	HINGE,COVER,CARTRIDGE
STYLUS PHOTO R2000	1262736	553	CAM,RELEASE,LOCK,PAPER EJECT
STYLUS PHOTO R2000	F186000	700	PRINT HEAD
STYLUS PHOTO R2000	1521980	702	FOOT,B
STYLUS PHOTO R2000	1616826	703	ASF UNIT.,IEI,CB35
STYLUS PHOTO R2000	1553033	703	Ersetzt durch: 1616826
STYLUS PHOTO R2000	1481196	704	POROUS PAD,INK EJECT,LEFT,LOWER
STYLUS PHOTO R2000	1481197	705	POROUS PAD,INK EJECT,LEFT,UPPER
STYLUS PHOTO R2000	1481198	706	POROUS PAD,INK EJECT,RIGHT,LOWER
STYLUS PHOTO R2000	1481199	707	POROUS PAD,INK EJECT,RIGHT,UPPER
STYLUS PHOTO R2000	1492494	708	POROUS PAD,INK EJECT,IS,LEFT,B
STYLUS PHOTO R2000	1492495	709	POROUS PAD,INK EJECT,IS,LOWER,FB,B
STYLUS PHOTO R2000	1492496	710	POROUS PAD,INK EJECT,IS,LOWER,LEFT,B
STYLUS PHOTO R2000	1492497	711	POROUS PAD,INK EJECT,TUBE,FA,B
STYLUS PHOTO R2000	1492498	712	POROUS PAD,INK EJECT,TUBE,FB,B
STYLUS PHOTO R2000	1483949	713	POROUS PAD,INK EJECT,THIS SIDE
STYLUS PHOTO R2000	2090539	714	MOTOR,ASSY.,ASF
STYLUS PHOTO R2000	1563212	715	PAPER GUIDE,MANUAL,B
STYLUS PHOTO R2000	1214680	716	POROUS PAD,INK EJECT,H
STYLUS PHOTO R2000	1218027	717	POROUS PAD,CABLE,HEAD
STYLUS PHOTO R2000	1470313	718	LABEL,INK POSITION,B
STYLUS PHOTO R2000	1436642	719	CLAMP,TUBE
STYLUS PHOTO R2000	1284091	730	C.B.S-TITE(P4)SCREW,3X8,F/ZN-3C
STYLUS PHOTO R2000	1080614	NON FIG	GREASE G-26 (40GR)(B702600001)
STYLUS PHOTO R2000	1033657	NON FIG	GREASE G-45
STYLUS PHOTO R2000	1480655	NON FIG	GREASE G-71(BLUE)



Model	Article	Reference	Description
STYLUS PHOTO R2000	1266905	NON FIG	I/P,903BGP,500,PRINTING 10-026 #F1069
STYLUS PHOTO R2000	1550927	NON FIG	INK CART.UNBOXED,C-M1,AS,100C
STYLUS PHOTO R2000	1550933	NON FIG	INK CART.UNBOXED,GO-M1,AS,100C
STYLUS PHOTO R2000	1550928	NON FIG	INK CART.UNBOXED,M-M1,AS,100C
STYLUS PHOTO R2000	1550931	NON FIG	INK CART.UNBOXED,MBK-M1,AS,100C
STYLUS PHOTO R2000	1550932	NON FIG	INK CART.UNBOXED,OR-M1,AS,100C
STYLUS PHOTO R2000	1550926	NON FIG	INK CART.UNBOXED,PBK-M1,AS,100C
STYLUS PHOTO R2000	1550930	NON FIG	INK CART.UNBOXED,R-M1,AS,100C
STYLUS PHOTO R2000	1550929	NON FIG	INK CART.UNBOXED,Y-M1,AS,100C
STYLUS PHOTO R2000	1304993	NON FIG	PF ROLLER POSITION ADJUSTMENT TOOL
STYLUS PHOTO R2000	1276333	NON FIG	PG ADJUSTMENT PLATE
STYLUS PHOTO R2000	1294120	NON FIG	SONIC TENSION METER U507
STYLUS PHOTO R2000	1304994	NON FIG	SURFACE PLATES